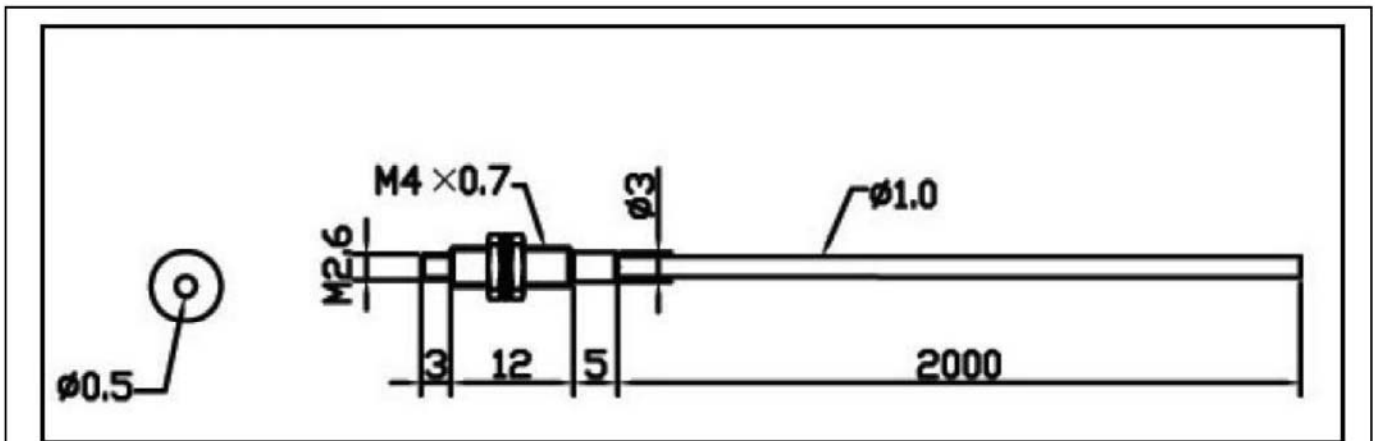


光ファイバーセンサーケーブル
Optical Fiber Sensor Cable



Specifications:

1. Model: OST-TB420
2. Type: Through-beam Optical Fiber Sensor Cable (=Thru-beam)
3. Screw thread: M4 x P0.7 (P= thread pitch)
4. Top of Screw: M2.6
5. Fiber core: Diameter 0.5mm x 1
6. Fiber cable: Diameter 1.0mm x 1
7. Cable length: 2 meters (length can be customized)
8. Detection distance: 130mm

* 特注ケーブルの製作も可能です。詳細は、お手数ですがお問い合わせフォームにお願いします。

Contact your OSTenp representative for information on specifications and availability.