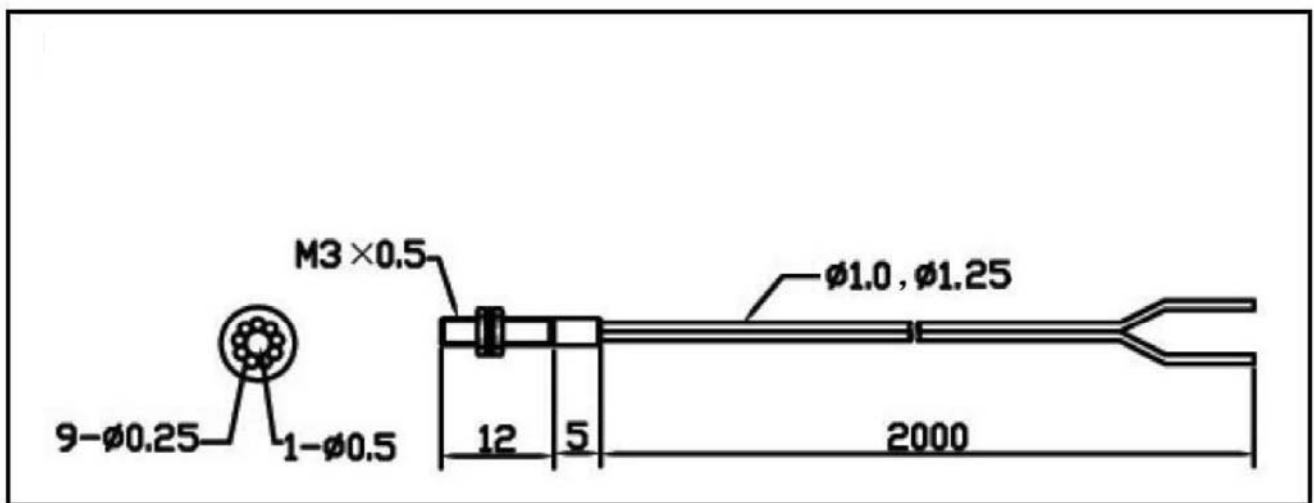


光ファイバーセンサーケーブル
Optical Fiber Sensor Cable



Specifications:

1. Model: OST-RAB320
2. Type: Coaxial Diffuse Reflection Optical Fiber Sensor Cable
3. Screw thread: M3 x P0.5 (P= thread pitch)
4. Fiber core: Diameter 0.25mm x 9, 0.5mm x 1
5. Fiber cable: Diameter 1.25mm x 1, 1.0mm x 1
6. Cable length: 2 meters (length can be customized)
7. Detection distance: 30mm

* 特注ケーブルの製作も可能です。詳細は、お手数ですがお問い合わせフォームをお願いします。

Contact your OSTenp representative for information on specifications and availability.